



CETOP 5: Manifold Block

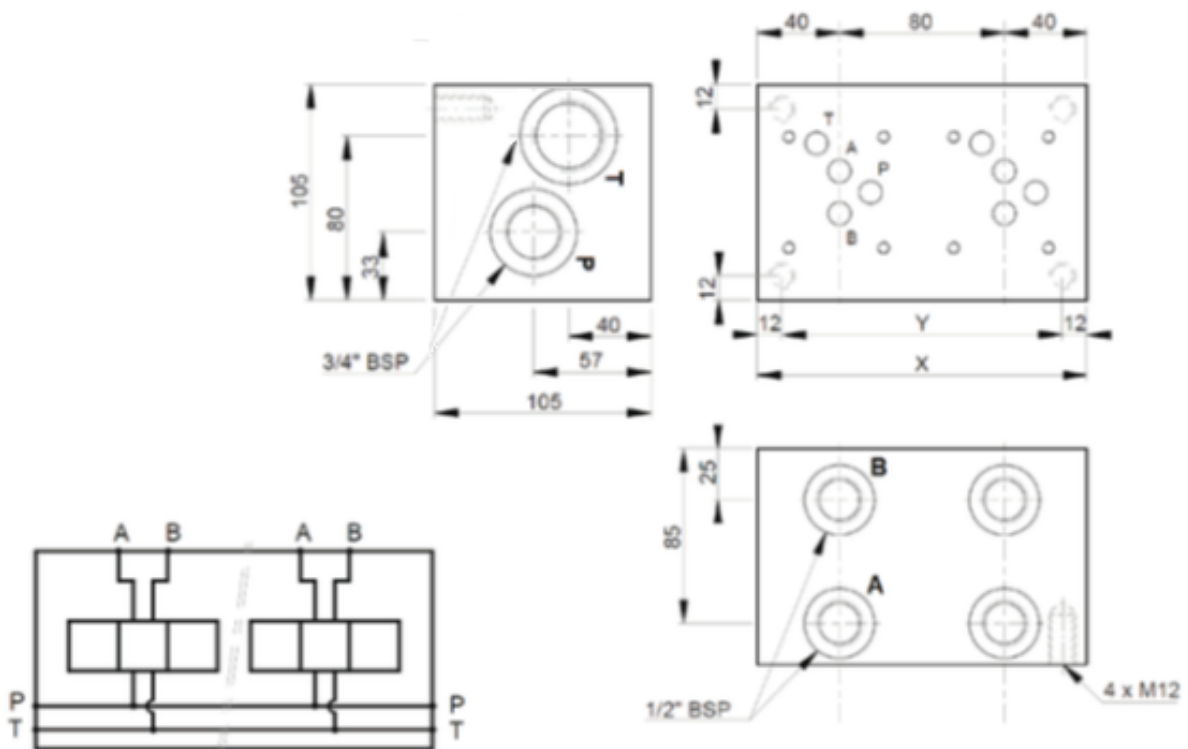
Features:

- Cast Iron Construction – Phosphated
- 345 Bar Maximum Working Pressure
- 70 L/Min Maximum Flow Rate
- P and T Ports – 3/4" BSP
- A and B Ports – 1/2" BSP



Benefits:

- Reduced Fitting and Installation Costs
- Compact design of valve circuits
- Reduces leak Paths
- Allows for easy modification to valve assembly stacks



Part Number	No. Stations
CM5-1G	1
CM5-2G	2
CM5-3G	3
CM5-4G	4
CM5-5G	5
CM5-6G	6

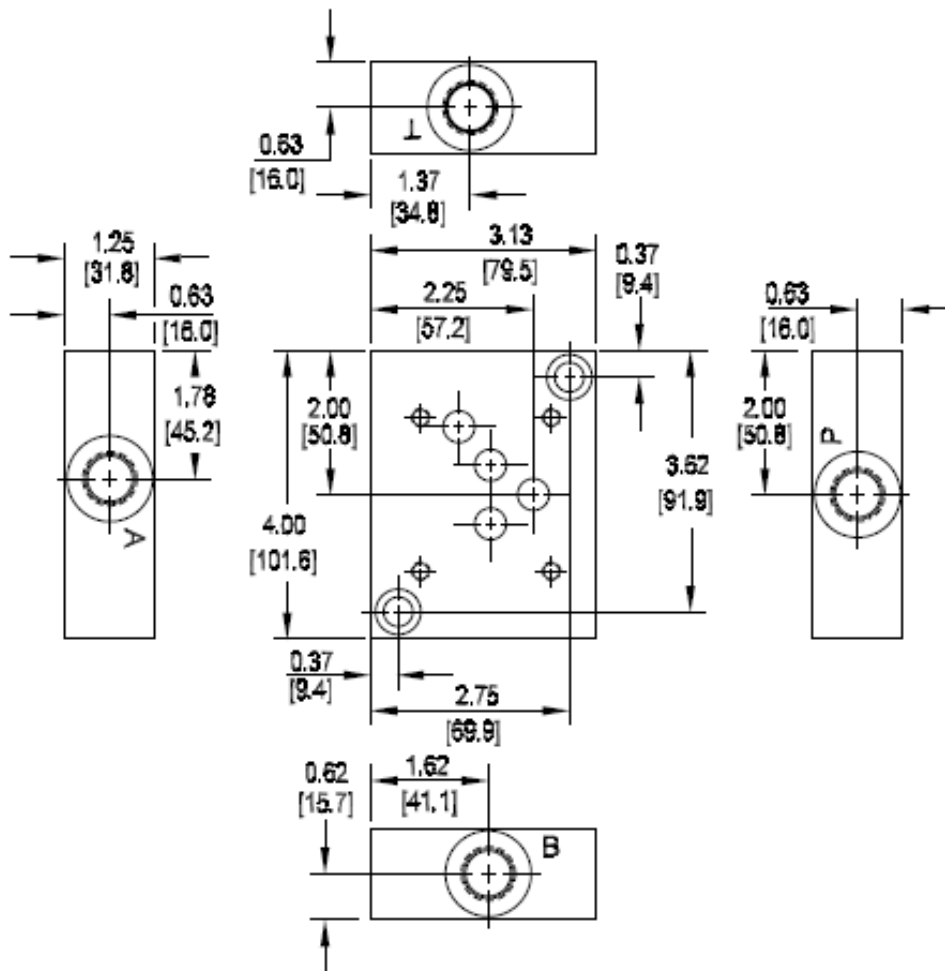
CETOP 5: Side Entry Subplate

Features:

- Cast Iron Construction – Phosphated
- 345 Bar Maximum Working Pressure
- 1/2" BSP Ported

Benefits:

- Compact design of valve circuits



Part Number

CSP-05

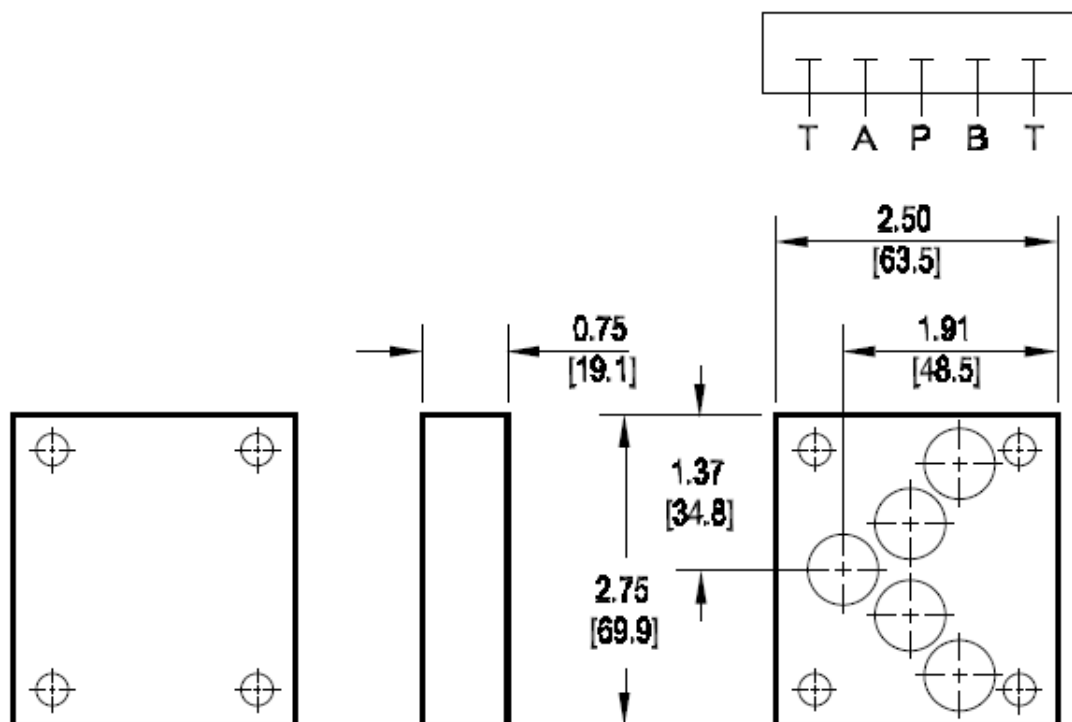
CETOP 5: Auxiliary Plates – Blanking Plate

Features:

- Mild Steel Construction – Phosphated
- 345 Bar Maximum Working Pressure
- Supplied with Seals and Screws

Benefits:

- Used to blank off any un-used CETOP 5 interface
- Compact design of valve circuits



Part Number

CBP-05

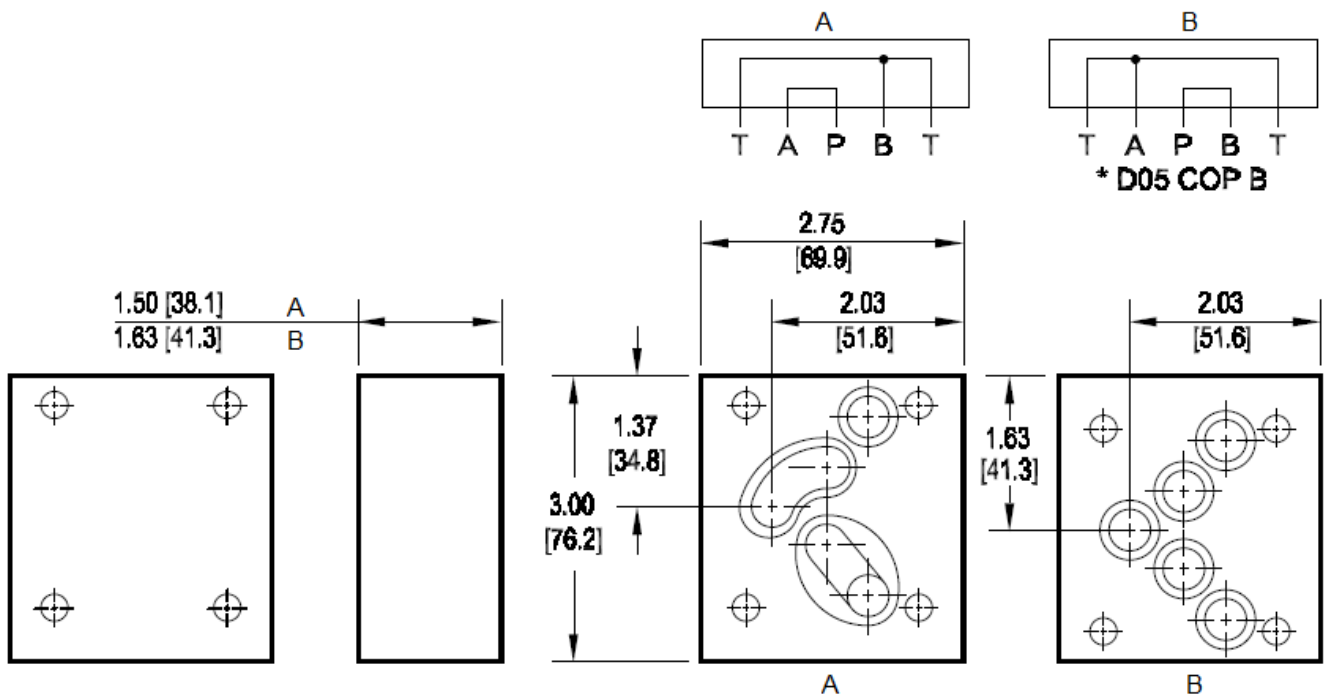
CETOP 5: Auxiliary Plates – Cross Over Plates

Features:

- Mild Steel Construction – Phosphated
- 345 Bar Maximum Working Pressure
- Supplied with Seals

Benefits:

- Compact design of valve circuits



	Part Number	Pressure Test Points
A	CCOP-PA-05	Cross Over Plate P - A
B	CCOP-PB-05	Cross Over Plate P - B

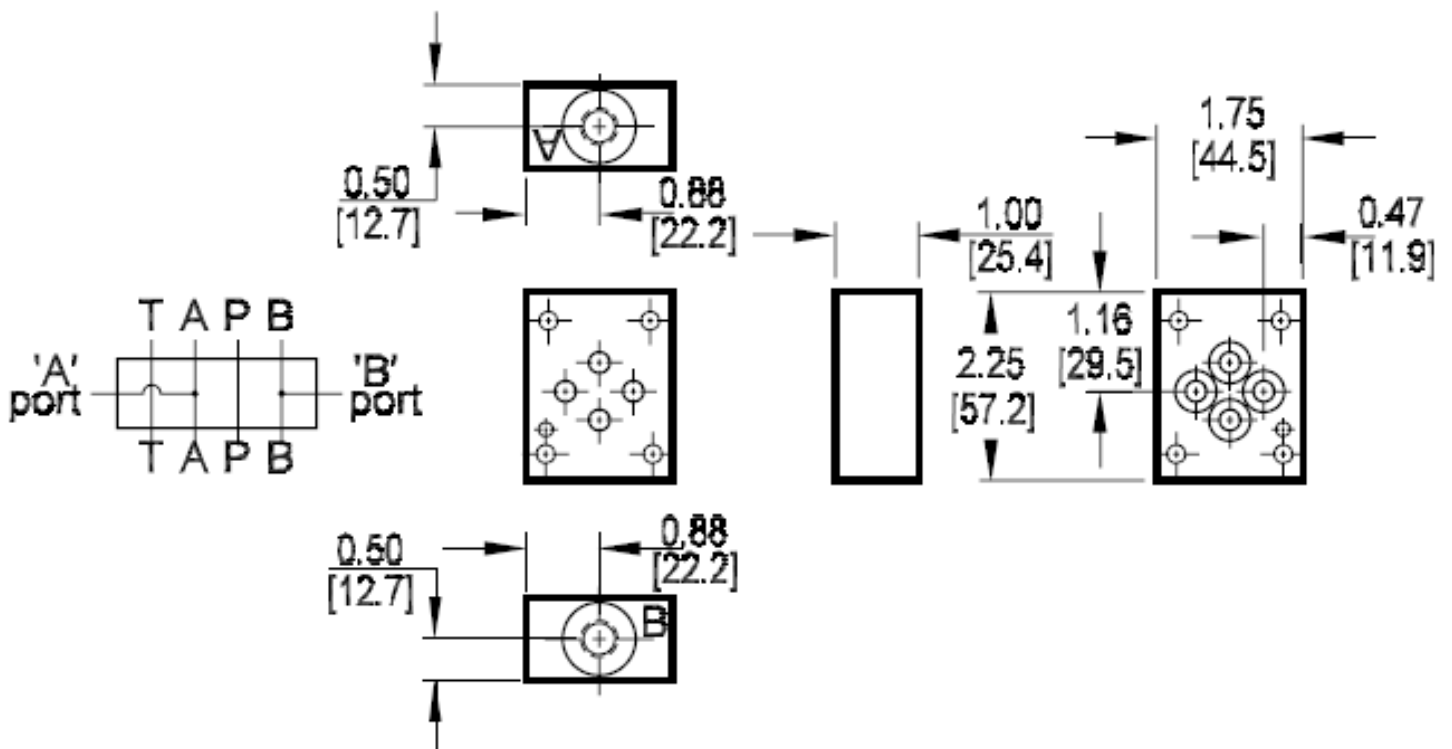
CETOP 5: Auxiliary Plates – Tapping Plate A & B

Features:

- Mild Steel Construction – Phosphated
- 345 Bar Maximum Working Pressure
- Supplied with Seals

Benefits:

- Compact design of valve circuits



Part Number	Pressure Test Points
CTP-AB-03	A and B Lines

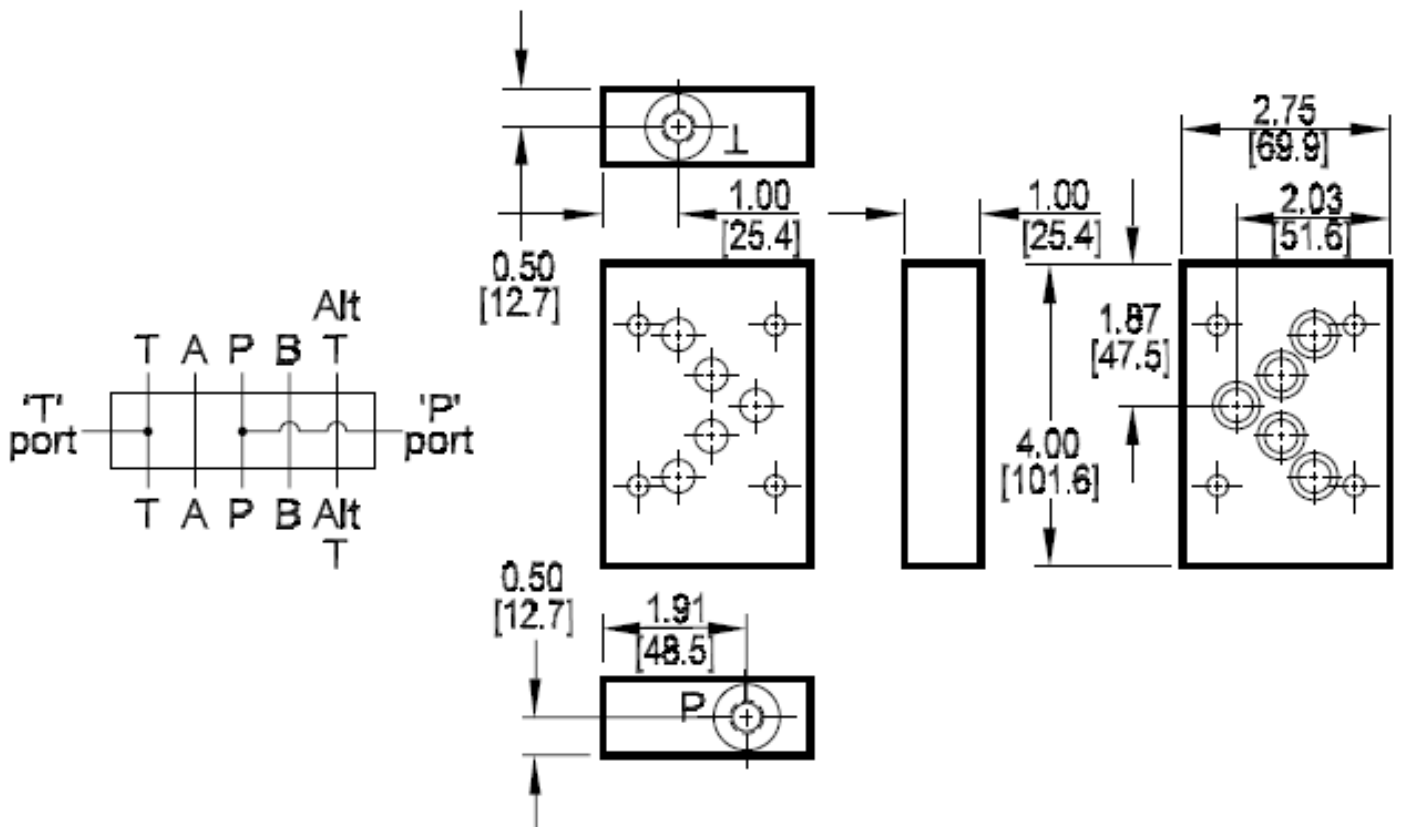
CETOP 5: Auxiliary Plates – Tapping Plate P & T

Features:

- Mild Steel Construction – Phosphated
- 345 Bar Maximum Working Pressure
- Supplied with Seals

Benefits:

- Compact design of valve circuits



Part Number

CTP-PT-03

Pressure Test Points

P Line